

# Customer Information Sheet

DRAWING No.: M300-0010045

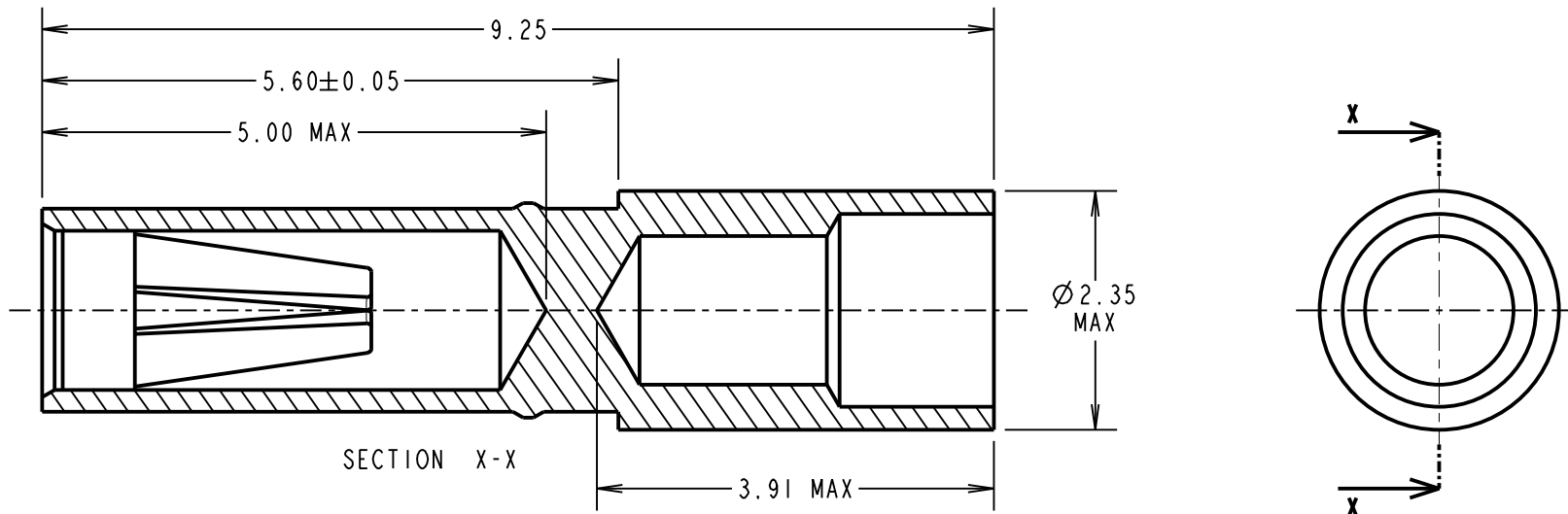
IF IN DOUBT - ASK

©

NOT TO SCALE

THIRD ANGLE PROJECTION

ALL DIMENSIONS IN mm



**SPECIFICATION:**

**MATERIAL:**

CONTACT SHELL = BRASS

CONTACT CLIP = BERYLLIUM COPPER

**FINISH:**

0.25/0.30 $\mu$  GOLD SHELL, 0.10/0.17 $\mu$  GOLD CLIP

**MECHANICAL:**

INSERTION FORCE = 9N MAX

WITHDRAWAL FORCE = IN MIN

DURABILITY = 1000 OPERATIONS

**ENVIRONMENTAL:**

OPERATING TEMPERATURE = -65°C TO +175°C

**PACKING:**

BULK

FOR COMPLETE CONNECTOR SPECIFICATION, SEE COMPONENT SPECIFICATION C048XX (LATEST ISSUE)

**NOTES:**

- SUITABLE FOR WIRE GAUGE 18 & 20 AWG. MAXIMUM INSULATION DIAMETER  $\varnothing$  1.80mm, BS3G210 TYPE A WIRE RECOMMENDED. STRIP WIRE BY 2.00mm FOR CRIMPING.
- RECOMMENDED CRIMP TOOL = M22520/2-01, POSITIONER = Z80-058.
- FOR INSTRUCTIONS ON HAND CRIMP TOOL M22520/2-01, SEE INSTRUCTION SHEET IS-01.
- RECOMMENDED MATING PIN SIZE =  $\varnothing$  1.05-0.90mm.

MSP	4	27.07.15	13022
NAME	ISS.	DATE	C/NOTE
APPROVED: M.PERREN			
CHECKED: M.PLESTED			
DRAWN: MARK G PLESTED			
CUSTOMER REF.:			
ASSEMBLY DRG:			

**HARWIN**

www.harwin.com  
technical@harwin.com

THIS DRAWING AND ANY INFORMATION OR DESCRIPTIVE MATTER SET OUT HEREON ARE CONFIDENTIAL AND COPYRIGHT PROPERTY OF THE HARWIN GROUP AND MUST NOT BE DISCLOSED, LOANED, COPIED OR USED FOR MANUFACTURING, TENDERING OR FOR ANY OTHER PURPOSE WITHOUT THEIR WRITTEN PERMISSION.

**TOLERANCES**

X. =  $\pm$ 1mm  
X.X =  $\pm$ 0.50mm  
X.XX =  $\pm$ 0.10mm  
X.XXX =  $\pm$ 0.01mm  
ANGLES =  $\pm$ 5°  
UNLESS STATED

**MATERIAL:**

SEE ABOVE

FINISH: SEE ABOVE

S/AREA: mm<sup>2</sup>

**TITLE:**

1mm CRIMP LARGE BORE  
SOCKET ASSEMBLY

DRAWING NUMBER:

**M300-0010045**

SHT  
2  
OF 2